



SOUNDWELL®

http://soundwell-cn.com

MR22 Series MAGNETI SENSITIVE SENSOR

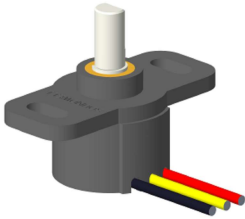
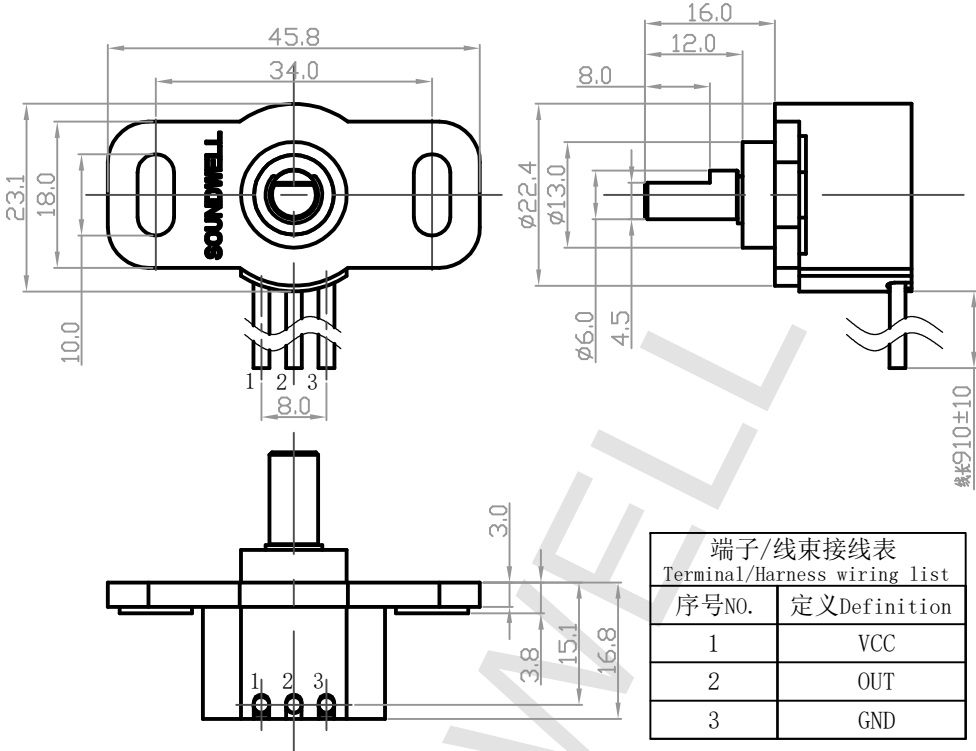


企业微信，扫码有惊喜

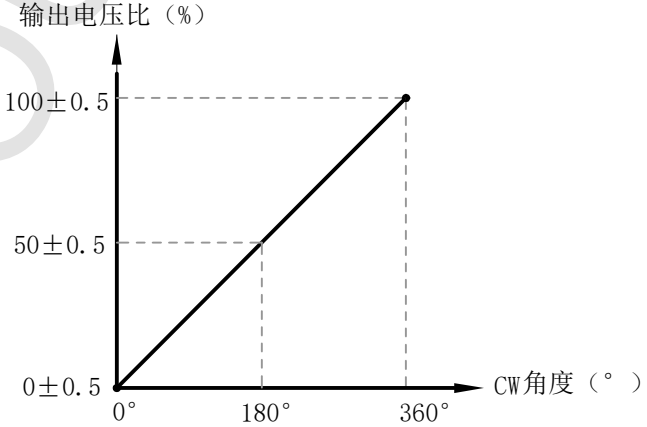


升威官网，发现更多产品

MODEL 品名	DIMENSIONS 尺寸	UNIT:mm
----------	---------------	---------

<p>MR220101A2X-HB2</p> 	 <table border="1" data-bbox="1145 936 1465 1142"> <thead> <tr> <th colspan="2">端子/线束接线表 Terminal/Harness wiring list</th> </tr> <tr> <th>序号NO.</th> <th>定义Definition</th> </tr> </thead> <tbody> <tr> <td>1</td> <td>VCC</td> </tr> <tr> <td>2</td> <td>OUT</td> </tr> <tr> <td>3</td> <td>GND</td> </tr> </tbody> </table>	端子/线束接线表 Terminal/Harness wiring list		序号NO.	定义Definition	1	VCC	2	OUT	3	GND
端子/线束接线表 Terminal/Harness wiring list											
序号NO.	定义Definition										
1	VCC										
2	OUT										
3	GND										

Resolution output signal

Rated Coltage 分辨率	Voltage Consumptron 输出电压	Rotational Direction 旋转方向	OUTPUT PHASE 输出波形
12 Bit	5V	C.W (顺时针方向)	 <p>输出电压比 (%)</p> <p>CW角度 (°)</p>